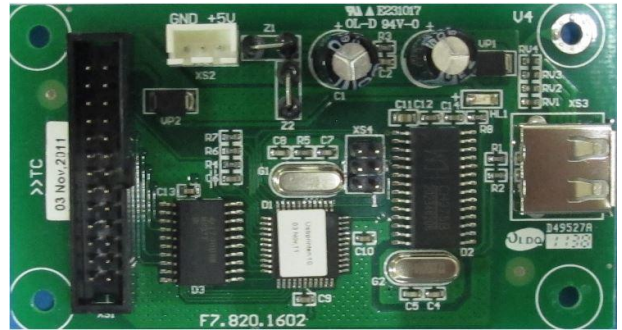


Features

- ✧ Connecting with the interface of USB printer
- ✧ Recommended printer: EPSON LQ-590K needle printer.

Description

1. P-9904 Printer Interface Card is an optional card for GST-IFP8 control panel, providing an interface for USB printer.
2. This card shouldn't be inserted and removed when it is energized.
3. Registration of the card is successful if the panel displays Printer OK when the control panel is powered on.
4. Indicators
HL1 LED illuminates and keeps lighting when the control panel checks external USB printer. HL1 LED turns off if the control panel doesn't detect the USB printer.



Installation

Connection & Wiring

Fig. 1 shows the connection between P-9904 Printer Interface Card and GST-IFP8 control panel.

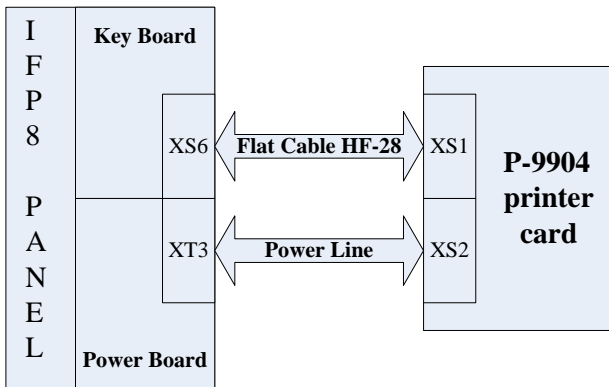


Fig. 1

Fig. 2 shows the connection between P-9904 Printer Interface Card and an external USB printer.

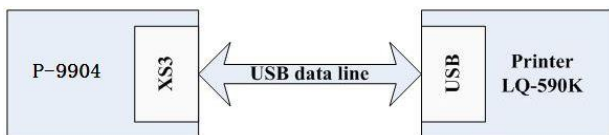


Fig. 2

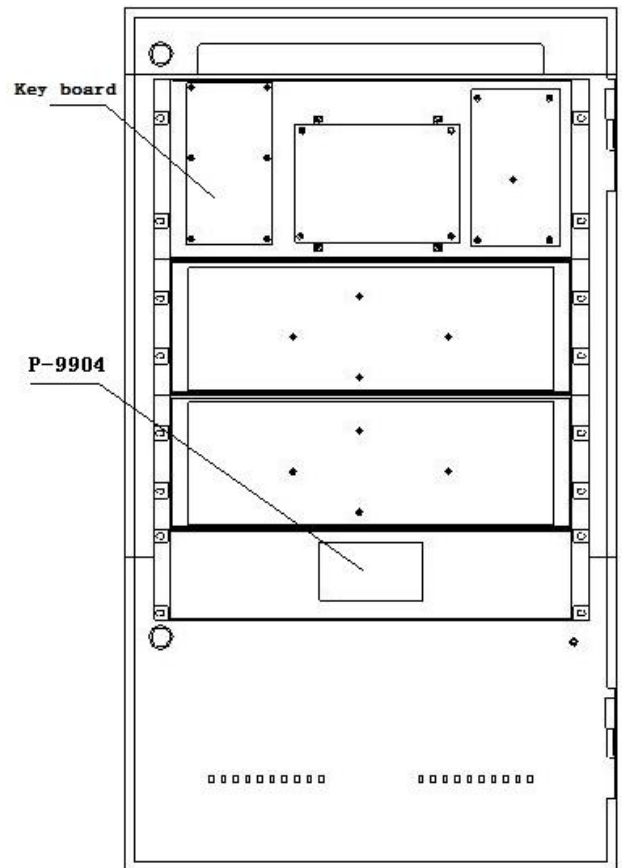


Fig. 3 (front panel of GST-IFP8)

Application

P-9904 Printer Interface Card should be fixed in the cabinet of a control panel. The USB printer can be connected through USB cable to print messages from the control panel. Powered by 5VDC from power board, P-9904 communicates with the control panel through ribbon cable.

WEEE Information



2012/19/EU (WEEE directive): Products marked with this symbol cannot be disposed of as unsorted municipal waste in the European Union. For proper recycling, return this product to your local supplier upon the purchase of equivalent new equipment, or dispose of it at designated collection points.

Accessories and Tools

Name	Type	Remark
Printer cable	USB2.0 A TO B	< 3m

Specification

Comm. Interface	Standard USB interface
Ambient Temperature	0°C ~ +40°C
Relative Humidity	≤95%, non condensing

Limited Warranty

GST warrants that the product will be free from defects in design, materials and workmanship during the warranty period. This warranty shall not apply to any product that is found to have been improperly installed or used in any way not in accordance with the instructions supplied with the product. Anybody, including the agents, distributors or employees, is not in the position to amend the contents of this warranty. Please contact your local distributor for products not covered by this warranty.

This Data Sheet is subject to change without notice. Please contact GST for more information or questions.

Gulf Security Technology Co., Ltd.

No. 80, Changjiang East Road, QETDZ, Qinhuangdao, Hebei, P. R. China 066004

Tel: +86 (0) 335 8502434 Fax: +86 (0) 335 8502532

service.gst@fs.utc.com www.gst.com.cn